

MECHANICAL SEALS

TYPE 101

LIDERING

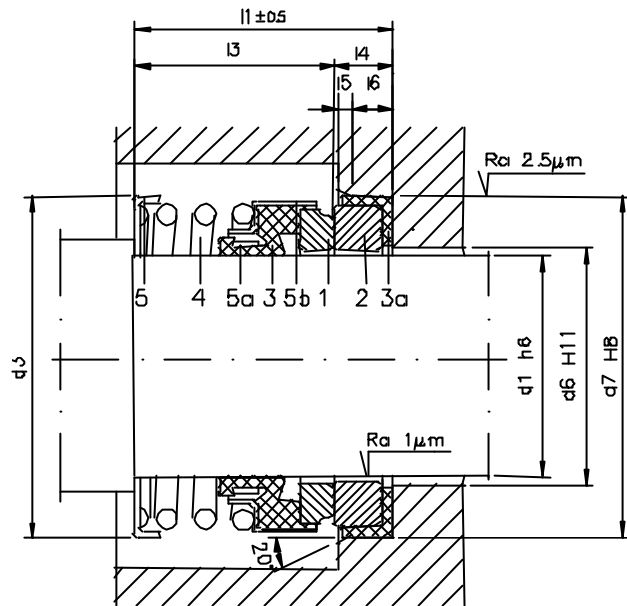
OPERATING LIMITS

d_1	= 9.52 ÷ 63.5 mm
p	= 10 Kg/cm ²
v	= 10 m/s
t	= -15 ÷ +200°C

The operating limits depend on the PV factor

COMPONENTS

1	Rotative face
2	Stationary face
3	Bellows
3a	Rubber parts
4	Spring
5	Ring
5a	Block ring
5b	Metal frame



REFERENCE

MATERIALS

REFERENCE	MATERIALS	MATERIALS	MATERIALS	MATERIALS
101 -- BVPFF	Graphite	Aluminium oxide	NBR	SS AISI 304
101 -- BVVFF	Graphite	Aluminium oxide	FKM	SS AISI 304
101 -- BVEFF	Graphite	Aluminium oxide	EPDM	SS AISI 304
101 -- QQPFF	Silicon carbide	Silicon carbide	NBR	SS AISI 304
101 -- QQVFF	Silicon carbide	Silicon carbide	FKM	SS AISI 304
101 -- QQEFF	Silicon carbide	Silicon carbide	EPDM	SS AISI 304
101 -- BQPFF	Graphite	Silicon carbide	NBR	SS AISI 304
101 -- BQVFF	Graphite	Silicon carbide	FKM	SS AISI 304
101 -- BQEFF	Graphite	Silicon carbide	EPDM	SS AISI 304

Available in other materials

TYPE 101

Bellows mechanical seal, unbalanced, single spring, independent on direction of rotation.

DIMENSIONS TABLE (Measures in mm. subject to change)

Ref.	d ₁	d ₃	d ₆	d ₇	L ₁	L ₃	L ₄	L ₅	L ₆
3/8	9.52	23.80	15.90	22.22	28.50	22.20	6.3	1.3	5.1
1/2	12.70	23.80	19.05	25.40	30.20	22.20	8.0	1.3	5.1
5/8	15.87	26.50	22.20	31.75	32.50	22.20	10.3	1.3	7.5
3/4	19.05	30.50	25.40	34.93	32.50	22.20	10.3	1.3	7.5
7/8	22.20	34.00	28.60	38.10	34.30	24.00	10.3	1.3	7.5
1	25.40	40.00	31.80	41.28	36.40	25.40	11.0	1.3	8.3
1 1/8	28.60	44.50	35.70	44.45	38.00	27.00	11.0	1.3	8.3
1 1/4	31.75	46.50	38.90	47.66	38.00	27.00	11.0	1.3	8.3
1 3/8	34.92	51.50	42.10	50.80	39.50	28.50	11.0	1.3	8.3
1 1/2	38.10	54.00	45.20	54.00	39.50	28.50	11.0	1.3	8.3
1 5/8	41.27	58.00	48.80	60.30	47.70	35.00	12.7	1.3	9.8
1 3/4	44.45	61.50	51.60	63.50	47.70	35.00	12.7	1.3	9.8
1 7/8	47.62	65.50	54.80	66.65	50.70	38.00	12.7	1.3	9.8
2	50.80	70.50	58.00	69.85	50.70	38.00	12.7	1.3	9.8
2 1/8	53.97	75.00	62.00	76.20	57.30	43.00	14.3	1.3	11.4
2 1/4	57.15	79.00	65.00	79.40	57.30	43.00	14.3	1.3	11.4
2 3/8	60.32	82.00	68.00	82.55	60.30	46.00	14.3	1.3	11.4
2 1/2	63.50	87.00	71.20	85.70	60.30	46.00	14.3	1.3	11.4



LIDERING



LIDERING, S.A.

Pg. Ferrocarrils Catalans, 106 - 108
08940 Cornellà de Llobregat BARCELONA
Domestic Sales: 902 480 440
International Sales: +34 93 480 44 22
Fax: 93 480 44 04

Cyesa,11 - 28017 MADRID
Tel: 902 480 440 Fax: 91 361 40 20

LIDERING, S.A.R.L.

Parc des Aqueducs, Lot E
Chemin du Favier RD 42
69230 Saint-Genis-Laval FRANCE
Tél: 04 72 67 02 67 Fax: 04 78 56 04 08

S.A. CONTINENTAL SEALS NEW N.V.
(LIDERING GROUP)

Ch. de Louvain 270 - Leuvensestwg
1410 Waterloo BELGIQUE-BELGIË
Tél: 02 357 06 30 Fax: 02 354 29 86

<http://www.lidering.com>