

MECHANICAL SEALS

TYPE 112

LIDERING

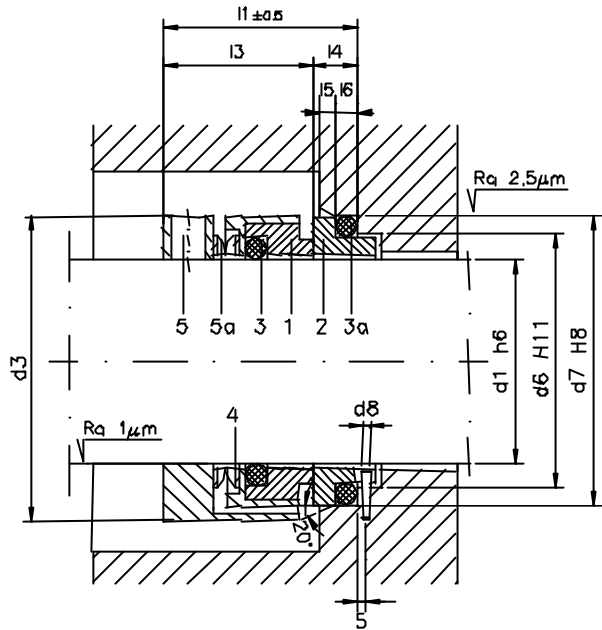
OPERATING LIMITS

d_1	= 20 ÷ 100 mm
p	= 20 Kg/cm ²
v	= 20 m/s
t	= -15 ÷ +200°C

The operating limits depend on the PV factor

COMPONENTS

1	Rotative face
2	Stationary face
3	O-ring
3a	O-ring
4	Spring
5	Set screw
5a	Metal frame



REFERENCE

MATERIALS

112 -- BVPGG	Graphite	Aluminium oxide	NBR	SS AISI 316
112 -- BVVGG	Graphite	Aluminium oxide	FKM	SS AISI 316
112 -- BVEGG	Graphite	Aluminium oxide	EPDM	SS AISI 316
112 -- QQPGG	Silicon carbide	Silicon carbide	NBR	SS AISI 316
112 -- QQVGG	Silicon carbide	Silicon carbide	FKM	SS AISI 316
112 -- QQEGG	Silicon carbide	Silicon carbide	EPDM	SS AISI 316
112 -- BQPGG	Graphite	Silicon carbide	NBR	SS AISI 316
112 -- BQVGG	Graphite	Silicon carbide	FKM	SS AISI 316
112 -- BQEGG	Graphite	Silicon carbide	EPDM	SS AISI 316
112 -- BGPGG	Graphite	SS AISI 316	NBR	SS AISI 316
112 -- BGVGG	Graphite	SS AISI 316	FKM	SS AISI 316
112 -- BGEVG	Graphite	SS AISI 316	EPDM	SS AISI 316

Available in other materials

TYPE 112

Mechanical seal with wave spring, unbalanced, independent on direction of rotation.

DIMENSIONS TABLE (Measures in mm. subject to change)

Ref.	d ₁	d ₃	d ₆	d ₇	d ₈	L ₁	L ₃	L ₄	L ₅	L ₆
20	20	31	29	35	3	30.5	20.5	10	2.0	5
22	22	33	31	37	3	30.5	20.5	10	2.0	5
24	24	36	33	39	3	32.5	22.5	10	2.0	5
25	25	39	34	40	3	33.5	23.5	10	2.0	5
28	28	42	37	43	3	33.5	23.5	10	2.0	5
30	30	44	39	45	3	34.5	24.5	10	2.0	5
32	32	46	42	48	3	34.5	24.5	10	2.0	5
33	33	47	42	48	3	34.5	24.5	10	2.0	5
35	35	49	44	50	3	34.5	24.5	10	2.0	5
38	38	53	49	56	4	40.0	27.0	13	2.0	6
40	40	55	51	58	4	41.0	28.0	13	2.0	6
43	43	58	54	61	4	41.0	28.0	13	2.0	6
45	45	60	56	63	4	41.0	28.0	13	2.0	6
48	48	63	59	66	4	41.0	28.0	13	2.0	6
50	50	66	62	70	4	41.0	27.0	14	2.5	6
53	53	69	65	73	4	41.0	27.0	14	2.5	6
55	55	71	67	75	4	41.0	27.0	14	2.5	6
58	58	77	70	78	4	43.0	29.0	14	2.5	6
60	60	79	72	80	4	43.0	29.0	14	2.5	6
63	63	82	75	83	4	46.0	32.0	14	2.5	6
65	65	84	77	85	4	46.0	32.0	14	2.5	6
68	68	87	81	90	4	49.5	33.5	16	2.5	7
70	70	89	83	92	4	48.0	32.0	16	2.5	7
75	75	94	88	97	4	48.0	32.0	16	2.5	7
80	80	100	95	105	4	50.5	32.5	18	3.0	7
85	85	105	100	110	4	50.5	32.5	18	3.0	7
90	90	112	105	115	4	56.5	38.5	18	3.0	7
95	95	117	110	120	4	56.5	38.5	18	3.0	7
100	100	122	115	125	4	56.5	38.5	18	3.0	7



LIDERING



LIDERING, S.A.

Pg. Ferrocarrils Catalans, 106 - 108
08940 Cornellà de Llobregat BARCELONA
Domestic Sales: 902 480 440
International Sales: +34 93 480 44 22
Fax: 93 480 44 04

Cyesa,11 - 28017 MADRID
Tel: 902 480 440 Fax: 91 361 40 20

LIDERING, S.A.R.L

Parc des Aqueducs, Lot E
Chemin du Favier RD 42
69230 Saint-Genis-Laval FRANCE
Tél: 04 72 67 02 67 Fax: 04 78 56 04 08

S.A. CONTINENTAL SEALS NEW N.V.
(LIDERING GROUP)

Ch. de Louvain 270 - Leuvensestwg
1410 Waterloo BELGIQUE-BELGIË
Tél: 02 357 06 30 Fax: 02 354 29 86

<http://www.lidering.com>