

# **MECHANICAL SEALS**

**TYPE 130**

**LIDERING**

### OPERATING LIMITS

$d_1 = 18 \div 100 \text{ mm}$

$p = 35 \text{ Kg/cm}^2$

$v = 20 \text{ m/s}$

$t = -15 \div +200^\circ\text{C}$

The operating limits depend on the PV factor

### COMPONENTS

1 Rotative face

2 Stationary face

3a O-ring

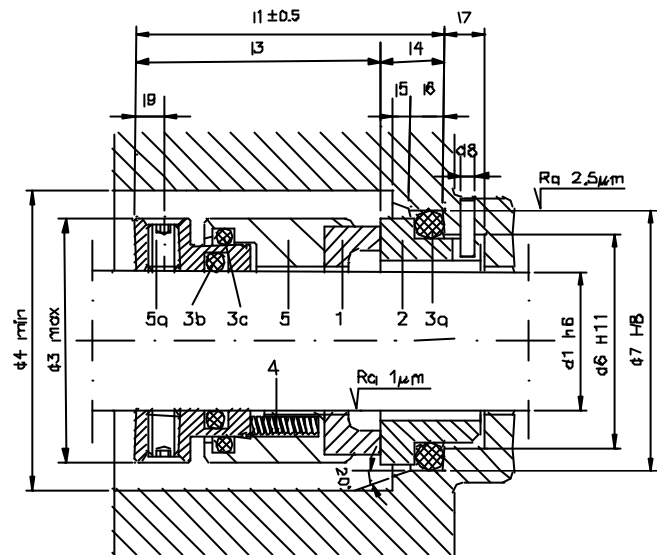
3b O-ring

3c O-ring

4 Spring

5 Metal frame

5a Set screw



### REFERENCE

### MATERIALS

130 -- BVPGG	Graphite	Aluminium oxide	NBR	SS AISI 316
130 -- BVVGG	Graphite	Aluminium oxide	FKM	SS AISI 316
130 -- BVEGG	Graphite	Aluminium oxide	EPDM	SS AISI 316
130 -- QQPGG	Silicon carbide	Silicon carbide	NBR	SS AISI 316
130 -- QQVGG	Silicon carbide	Silicon carbide	FKM	SS AISI 316
130 -- QQEGG	Silicon carbide	Silicon carbide	EPDM	SS AISI 316
130 -- BQPGG	Graphite	Silicon carbide	NBR	SS AISI 316
130 -- BQVGG	Graphite	Silicon carbide	FKM	SS AISI 316
130 -- BQEGG	Graphite	Silicon carbide	EPDM	SS AISI 316

Available in other materials

# TYPE 130

Balanced mechanical seal, wave-spring, independent on direction of rotation.

**DIMENSIONS TABLE** (Measures in mm. subject to change)

Ref.	d <sub>1</sub>	d <sub>3</sub>	d <sub>4</sub>	d <sub>6</sub>	d <sub>7</sub>	d <sub>8</sub>	L <sub>1</sub>	L <sub>3</sub>	L <sub>4</sub>	L <sub>5</sub>	L <sub>6</sub>	L <sub>7</sub>	L <sub>9</sub>
18	18	32	34	27	33	3	37.5	30.5	7.0	2.0	4	8.5	3.0
20	20	34	36	29	35	3	37.5	30.5	7.0	2.0	5	8.5	3.0
22	22	36	38	31	37	3	37.5	30.5	7.0	2.0	5	9.0	3.0
24	24	38	40	33	39	3	40.0	33.0	7.0	2.0	5	9.0	3.5
25	25	39	41	34	40	3	40.0	33.0	7.0	2.0	5	9.0	3.5
28	28	42	44	37	43	3	42.5	35.5	7.0	2.0	5	9.0	3.5
30	30	44	46	39	45	3	42.5	35.5	7.0	2.0	5	9.0	3.5
32	32	47	48	42	48	3	42.5	35.5	7.0	2.0	5	9.0	3.5
33	33	47	49	42	48	3	42.5	35.5	7.0	2.0	5	9.0	3.5
35	35	49	51	44	50	3	42.5	35.5	7.0	2.0	5	9.0	3.5
38	38	54	58	49	56	4	45.0	37.0	8.0	2.0	6	9.0	4.0
40	40	56	60	51	58	4	45.0	37.0	8.0	2.0	6	9.0	4.0
43	43	59	63	54	61	4	45.0	37.0	8.0	2.0	6	9.0	4.0
45	45	61	65	56	63	4	45.0	37.0	8.0	2.0	6	9.0	4.0
48	48	64	68	59	66	4	45.0	37.0	8.0	2.0	6	9.0	4.0
50	50	66	70	62	70	4	47.5	38.0	9.5	2.5	6	9.0	4.5
53	53	69	73	65	73	4	47.5	38.0	9.5	2.5	6	9.0	4.5
55	55	71	75	67	75	4	47.5	38.0	9.5	2.5	6	9.0	4.5
58	58	78	83	70	78	4	52.5	42.0	10.5	2.5	6	9.0	4.5
60	60	80	85	72	80	4	52.5	42.0	10.5	2.5	6	9.0	4.5
63	63	83	88	75	83	4	52.5	42.0	10.5	2.5	6	9.0	4.5
65	65	85	90	77	85	4	52.5	42.0	10.5	2.5	6	9.0	4.5
68	68	88	93	81	90	4	52.5	41.5	11.0	2.5	7	9.0	4.5
70	70	90	95	83	92	4	60.0	48.5	11.5	2.5	7	9.0	5.0
75	75	99	104	88	97	4	60.0	48.5	11.5	2.5	7	9.0	5.5
80	80	104	109	95	105	4	60.0	48.5	11.5	3.0	7	9.0	5.5
85	85	109	114	100	110	4	60.0	48.5	11.5	3.0	7	9.0	5.5
90	90	114	119	105	115	4	65.0	52.0	13.0	3.0	7	9.0	5.5
95	95	119	124	110	120	4	65.0	52.0	13.0	3.0	7	9.0	5.5
100	100	124	129	115	125	4	65.0	52.0	13.0	3.0	7	9.0	5.5



**LIDERING**



**LIDERING, S.A.**

Pg. Ferrocarrils Catalans, 106 - 108  
08940 Cornellà de Llobregat BARCELONA  
Domestic Sales: 902 480 440  
International Sales: +34 93 480 44 22  
Fax: 93 480 44 04

Cyesa,11 - 28017 MADRID  
Tel: 902 480 440 Fax: 91 361 40 20

**LIDERING, S.A.R.L.**

Parc des Aqueducs, Lot E  
Chemin du Favier RD 42  
69230 Saint-Genis-Laval FRANCE  
Tél: 04 72 67 02 67 Fax: 04 78 56 04 08

**S.A. CONTINENTAL SEALS NEW N.V.**  
(LIDERING GROUP)

Ch. de Louvain 270 - Leuvensestwg  
1410 Waterloo BELGIQUE-BELGIË  
Tél: 02 357 06 30 Fax: 02 354 29 86

<http://www.lidering.com>