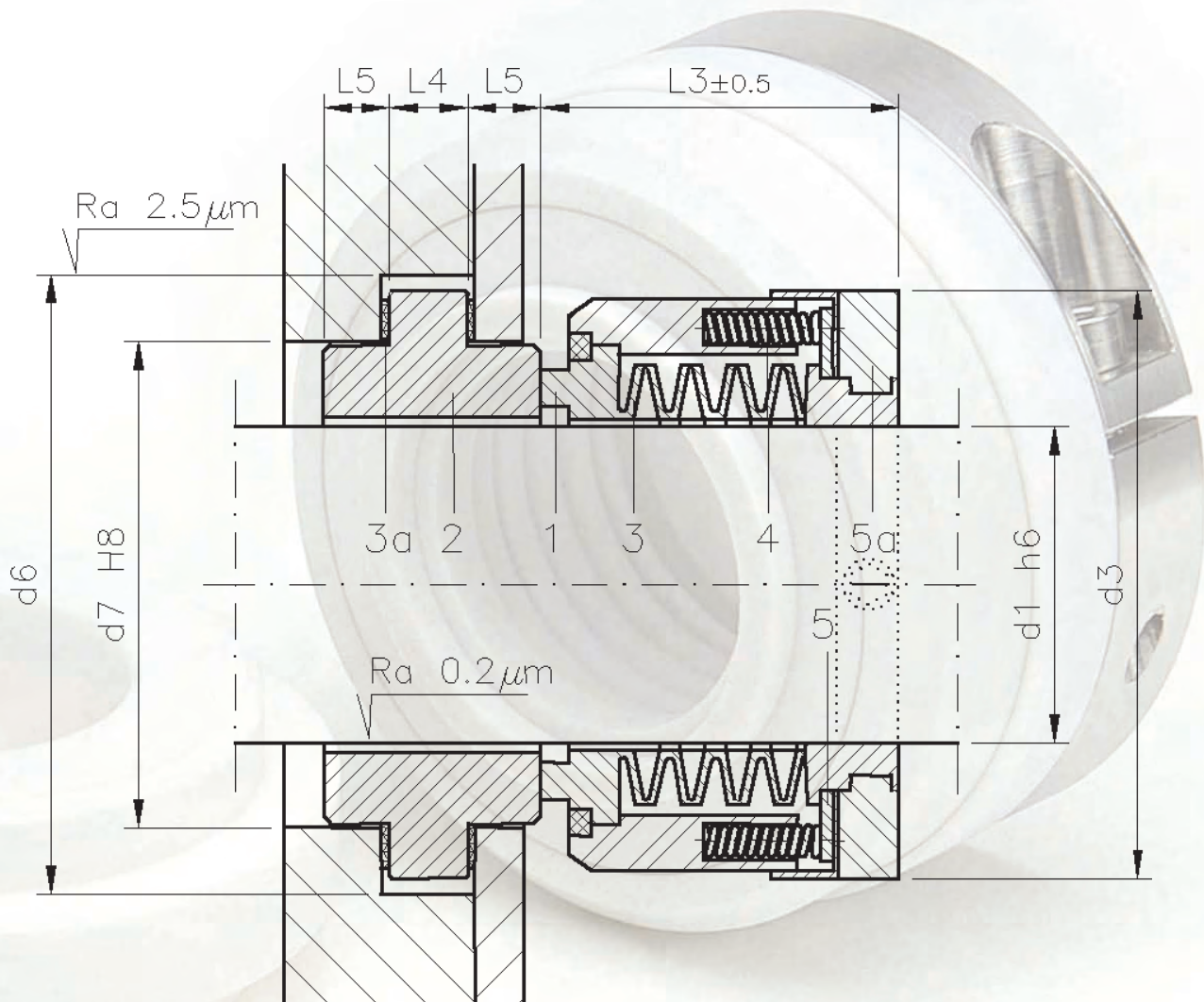


MECHANICAL SEALS

TYPE 160

LIDERING



OPERATING LIMITS

$d_1 = 25 \div 100 \text{ mm}$

$p = 12 \text{ Kg/cm}^2$

$v = 16 \text{ m/s}$

$t = -40 \div +200^\circ\text{C}$

The operating limits depend on the PV factor

MATERIALS

YVTGG

QQTGG

COMPONENTS

1 Rotative face

2 Stationary face

3 Bellows

3a PTFE seal

4 Spring

5 Ring

5a Set screw

Available in other materials

Mechanical Seals

160

Bellows mechanical seal,
unbalanced, independent on direction
of rotation, external seal.



DIMENSIONS TABLE (Measures in mm. subject to change)

Ref.	d ₁	d ₃	d ₆	d ₇	l ₃	l ₄	l ₅
25	25	61	54	42.86	33	8.0	4.8
28	28	67	65	50.80	36	11.0	8.0
30	30	70	68	53.98	37	11.0	8.0
32	32	70	68	53.98	37	11.0	8.0
33	33	73	71	57.15	38	11.0	8.0
35	35	73	71	57.15	38	11.0	8.0
38	38	76	78	63.50	38	11.0	8.0
40	40	80	81	66.68	40	11.0	8.0
43	43	83	84	69.85	40	11.0	8.0
45	45	83	84	69.85	40	11.0	8.0
48	48	89	97	79.38	43	14.3	9.5
50	50	89	97	79.38	43	14.3	9.5
53	53	103	100	82.55	53	14.3	9.5
55	55	107	103	85.73	53	14.3	9.5
58	58	110	106	88.90	53	14.3	9.5
60	60	110	106	88.90	53	14.3	9.5
63	63	113	110	92.08	53	14.3	9.5
65	65	116	113	95.25	53	14.3	9.5
68	68	118	116	98.43	53	14.3	9.5
70	70	118	116	98.43	53	14.3	9.5
75	75	126	121	103.19	53	14.3	9.5
80	80	150	132	114.30	73	14.3	9.5
85	85	156	138	120.65	73	14.3	9.5
90	90	163	144	127.00	73	14.3	9.5
95	95	163	144	127.00	73	14.3	9.5
100	100	169	151	133.35	73	14.3	9.5

LIDERING



LIDERING, S.A.

Pg. Ferrocarrils Catalans, 106 - 108
08940 Cornellà de Llobregat BARCELONA
Domestic Sales: 902 480 440
International Sales: +34 93 480 44 22
Fax: 93 480 44 04

Pollensa, 2, Ofic. 8
Edif. Artemisa – Tartessos
28290 Las Rozas MADRID
Tel: 902 480 440 Fax: 91 361 40 20

LIDERING, S.A.R.L.

Parc des Aqueducs, Lot E
Chemin du Favier RD 42
69230 Saint-Genis-Laval FRANCE
Tél: 04 72 67 02 67 Fax: 04 78 56 04 08

S.A. LIDERING N.V.

Ch. de Louvain 270 - Leuvensestwg
1410 Waterloo BELGIQUE-BELGIË
Tél: 02 357 06 30 Fax: 02 354 29 86

<http://www.lidering.com>