

# **MECHANICAL SEALS**

**TYPE 500**

**LIDERING**

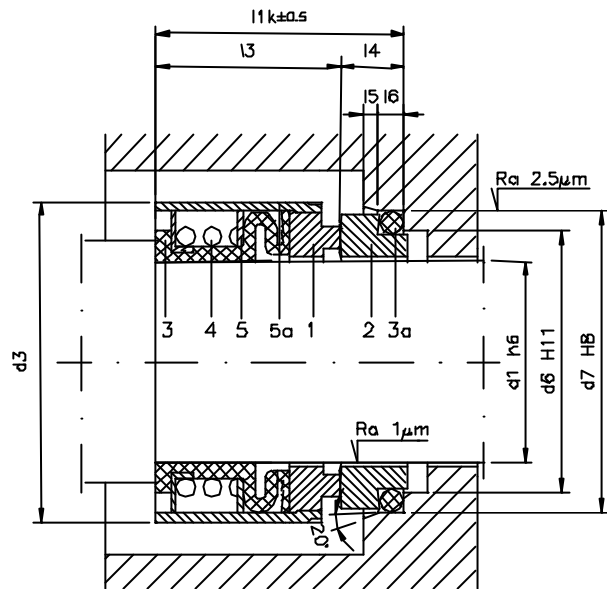
### OPERATING LIMITS

$d_1$	= 14 ÷ 100 mm
$p$	= 20 Kg/cm <sup>2</sup>
$v$	= 15 m/s
$t$	= -15 ÷ +200°C

The operating limits depend on the PV factor

### COMPONENTS

1	Rotative face
2	Stationary face
3	Bellows
3a	O-ring
4	Spring
5	Ring
5a	Metal frame



### REFERENCE

### MATERIALS

500 -- BVPFF	Graphite	Aluminium oxide	NBR	SS AISI 304
500 -- BVVFF	Graphite	Aluminium oxide	FKM	SS AISI 304
500 -- BVEFF	Graphite	Aluminium oxide	EPDM	SS AISI 304
500 -- QQPFF	Silicon carbide	Silicon carbide	NBR	SS AISI 304
500 -- QQVFF	Silicon carbide	Silicon carbide	FKM	SS AISI 304
500 -- QQEFF	Silicon carbide	Silicon carbide	EPDM	SS AISI 304
500 -- BQPFF	Graphite	Silicon carbide	NBR	SS AISI 304
500 -- BQVFF	Graphite	Silicon carbide	FKM	SS AISI 304
500 -- BQEFF	Graphite	Silicon carbide	EPDM	SS AISI 304

Available in other materials

# TYPE 500

Bellows rubber seal, balanced, single spring, independent on direction of rotation.

**DIMENSIONS TABLE** (Measures in mm. subject to change)

Ref.	d <sub>1</sub>	d <sub>3</sub>	d <sub>4</sub>	d <sub>6</sub>	d <sub>7</sub>	L <sub>1k</sub>	L <sub>3</sub>	L <sub>4</sub>	L <sub>5</sub>	L <sub>6</sub>
14	14	24	26	21	25	35.0	23.0	12.0	1.5	4
16	16	26	28	23	27	35.0	23.0	12.0	1.5	4
18	18	32	34	27	33	37.5	24.0	13.5	2.0	4
20	20	34	36	29	35	37.5	24.0	13.5	2.0	5
22	22	36	38	31	37	37.5	24.0	13.5	2.0	5
24	24	38	40	33	39	40.2	26.7	13.5	2.0	5
25	25	39	41	34	40	40.0	27.0	13.0	2.0	5
28	28	42	44	37	43	42.5	30.0	12.5	2.0	5
30	30	44	46	39	45	42.5	30.5	12.0	2.0	5
32	32	46	48	42	48	42.5	30.5	12.0	2.0	5
33	33	47	49	42	48	42.5	30.5	12.0	2.0	5
35	35	49	51	44	50	42.5	30.5	12.0	2.0	5
38	38	54	58	49	56	45.0	32.0	13.0	2.0	6
40	40	56	60	51	58	45.0	32.0	13.0	2.0	6
43	43	59	63	54	61	45.0	32.0	13.0	2.0	6
45	45	61	65	56	63	45.0	32.0	13.0	2.0	6
48	48	64	68	59	66	45.0	32.0	13.0	2.0	6
50	50	66	70	62	70	47.5	34.0	13.5	2.5	6
53	53	69	73	65	73	47.5	34.0	13.5	2.5	6
55	55	71	75	67	75	47.5	34.0	13.5	2.5	6
58	58	78	83	70	78	52.5	39.0	13.5	2.5	6
60	60	80	85	72	80	52.5	39.0	13.5	2.5	6
63	63	83	88	75	83	52.5	39.0	13.5	2.5	6
65	65	85	90	77	85	52.5	39.0	13.5	2.5	6
68	68	88	93	81	90	52.5	39.0	13.5	2.5	7
70	70	90	95	83	92	60.0	45.5	14.5	2.5	7
75	75	95	104	88	97	60.0	45.5	14.5	2.5	7
80	80	104	109	95	105	60.0	45.0	15.0	3.0	7
85	85	109	114	100	110	60.0	45.0	15.0	3.0	7
90	90	110	119	105	115	65.0	50.0	15.0	3.0	7
95	95	119	124	110	120	65.0	50.0	15.0	3.0	7
100	100	124	129	115	125	65.0	50.0	15.0	3.0	7



**LIDERING**



**LIDERING, S.A.**

Pg. Ferrocarrils Catalans, 106 - 108  
08940 Cornellà de Llobregat BARCELONA  
Domestic Sales: 902 480 440  
Internacional Sales: +34 93 480 44 22  
Fax: 93 480 44 04

Cyesa,11 - 28017 MADRID  
Tel: 902 480 440 Fax: 91 361 40 20

**LIDERING, S.A.R.L.**

Parc des Aqueducs, Lot E  
Chemin du Favier RD 42  
69230 Saint-Genis-Laval FRANCE  
Tél: 04 72 67 02 67 Fax: 04 78 56 04 08

**S.A. CONTINENTAL SEALS NEW N.V.**  
(LIDERING GROUP)

Ch. de Louvain 270 - Leuvensestwg  
1410 Waterloo BELGIQUE-BELGIË  
Tél: 02 357 06 30 Fax: 02 354 29 86

<http://www.lidering.com>