

MECHANICAL SEALS

**TC/AR
TC/AR3**

LIDERING

OPERATING LIMITS

$d_1 = 6 \div 60 \text{ mm}$

$p = 6 \text{ Kg/cm}^2$

$v = 10 \text{ m/s}$

$t = -20 \div +140^\circ\text{C}$

The operating limits depend on the PV factor

COMPONENTS

1 Rotative face

2 Stationary face

3 Bellows

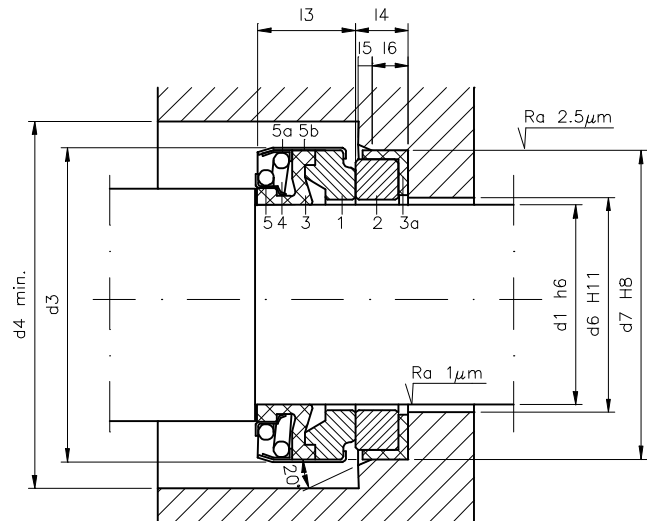
3a Rubber parts

4 Spring

5 Ring

5a Block ring

5b Metal frame



REFERENCE

MATERIALS

TC/AR -- BXPFF	Graphite	Ceramic	NBR	SS AISI 304
TC/AR -- BVPFF	Graphite	Aluminium oxide	NBR	SS AISI 304
TC/AR -- BF ₁ PFF	Graphite	SS AISI 431	NBR	SS AISI 304
TC/AR -- BXVFF	Graphite	Ceramic	FKM	SS AISI 304
TC/AR -- QQPFF	Silicon carbide	Silicon carbide	NBR	SS AISI 304
TC/AR3 -- UUVFF	Tungsten carbide	Tungsten carbide	FKM	SS AISI 304

Available in other materials

TC - AR / TC - AR3

Rubber bellows mechanical seal, unbalanced, single seal, independent on direction of rotation.

DIMENSIONS TABLE (Measures in mm. subject to change)

Ref.	d ₁	d ₃	d ₄	d ₆	d ₇	l ₃	l ₄	l ₅	l ₆	
006	6	18	23	8	22	8	+0.5	4	0.5	3.5
008	8	20	23	10	22	11	+0.5	4	0.5	3.5
008	8	20	27	10	26	11	+0.5	5.5	1	5
008	8	24	27	10	26	11	+0.5	8	1	6
010	10	24	27	12	26	11	+0.5	8	1	6
011	11	24	27	13	26	11	+0.5	8	1	6
012	12	24	27	14	26	11	+0.5	8	1	6
012	12	24	27	14	26	12.8	+0.7	8	1	6
013	13	24	27	15	26	12.8	+0.7	8	1	6
014	14	28	30	18	28.5	12.8	+0.7	7.5	1	5.5
014	14	32	35	16	29.5	12.8	+0.7	8	1	6
015	15	32	35	17	29.5	12.8	+0.7	8	1	6
016	16	32	35	18	29.5	12.8	+0.7	8	1	6
016	16	39	43	18	38	12.8	+0.7	8	1	6
017	17	39	43	19	42	12.8	+0.7	8	1	6
018	18	39	43	20	42	12.8	+0.7	8	1	6
019	19	39	43	21	42	12.8	+0.7	8	1	6
020	20	39	43	22	42	12.8	+0.7	8	1	6
020	20	42	47	22	45	12.8	+0.7	10	1	8
022	22	42	47	24	45	12.8	+0.7	10	1	8
023	23	47	52	25	50	13.5	+1	10	1	8
024	24	47	52	26	50	13.5	+1	10	1	8
025	25	42	52	27	50	13.5	+1	10	1	8
025	25	47	52	27	50	13.5	+1	10	1	8
026	26	47	52	29	50	13.5	+1	10	1	8
027	27	47	52	30	50	13.5	+1	10	1	8
028	28	54	60	31	57	15	+1	10	1	8
030	30	54	60	33	57	15	+1	10	1	8
032	32	54	60	35	57	15	+1	10	1	8
035	35	60	70	38	63	16	+1	10	1	8
038	38	65	75	41	68	18	+1	12	2	9
040	40	65	75	43	68	18	+1	12	2	9
045	45	70	80	48	73	20	+1	12	2	9
050	50	85	95	53	88	23	+1	15	2	12
060	60	105	115	63	110	30	+1	15	2	12



LIDERING



LIDERING, S.A.

Pg. Ferrocarrils Catalans, 106 - 108
08940 Cornellà de Llobregat BARCELONA
Domestic Sales: 902 480 440
International Sales: +34 93 480 44 22
Fax: 93 480 44 04

Cyesa, 11 - 28017 MADRID
Tel: 902 480 440 Fax: 91 361 40 20

LIDERING, S.A.R.L.

Parc des Aqueducs, Lot E
Chemin du Favier RD 42
69230 Saint-Genis-Laval FRANCE
Tél: 04 72 67 02 67 Fax: 04 78 56 04 08

S.A. CONTINENTAL SEALS NEW N.V.
(LIDERING GROUP)

Ch. de Louvain 270 - Leuvensestwg
1410 Waterloo BELGIQUE-BELGIË
Tél: 02 357 06 30 Fax: 02 354 29 86

<http://www.lidering.com>