

MECHANICAL SEALS

TC/C5.KU

TC/C56.KU

LIDE**ING**

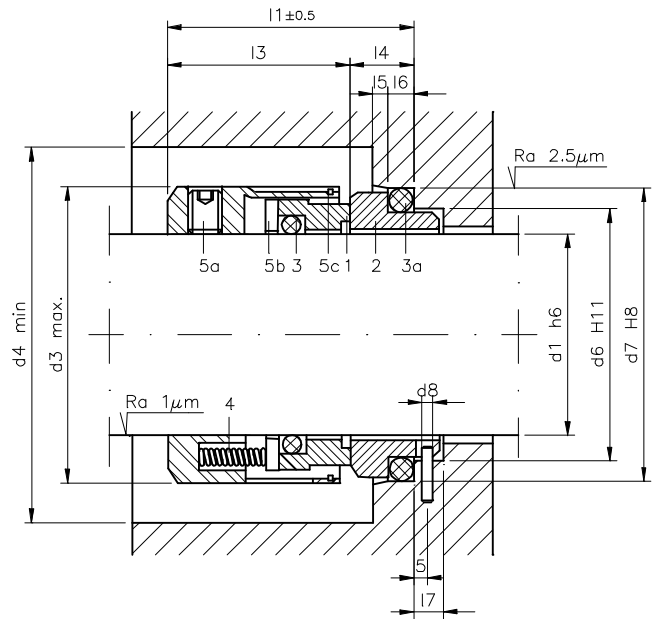
OPERATING LIMITS

d_1	= 20 ÷ 100 mm
p	= 10 Kg/cm ²
v	= 20 m/s
t	= -70 ÷ +200°C

The operating limits depend on the PV factor

COMPONENTS

1	Rotative face
2	Stationary face
3	O-ring
3a	O-ring
4	Spring
5	Metal frame
5a	Set screw
5b	Ring
5c	Ring retainer



REFERENCE

MATERIALS

TC/C5.KU -- B ₂ VPGG	Special graphite	Aluminium oxide	NBR	SS AISI 316
TC/C5.KU -- B ₂ UPGG	Special graphite	Tungsten carbide	NBR	SS AISI 316
TC/C56.KU -- B ₂ VTGG	Special graphite	Aluminium oxide	PTFE	SS AISI 316

Available in other materials

TC - C5.KU / TC - C56.KU

Unbalanced mechanical seal, multi-spring, independent on direction of rotation.

DIMENSIONS TABLE (Measures in mm. subject to change)

Ref.	d ₁	d ₃	d ₄	d ₆	d ₇	d ₈	l _{1K}	l ₁	l ₃	l ₄	l ₅	l ₆	l ₇
020	20	34	36	29	35	3	37.5	34	24	10	2	5	9
022	22	36	38	31	37	3	37.5	34	24	10	2	5	9
024	24	38	40	33	39	3	40	37	27	10	2	5	9
025	25	39	41	34	40	3	40	37	27	10	2	5	9
028	28	42	44	37	43	3	42.5	40	30	10	2	5	9
030	30	44	46	39	45	3	42.5	40	30	10	2	5	9
032	32	46	48	42	48	3	42.5	40	30	10	2	5	9
033	33	47	49	42	48	3	42.5	40	30	10	2	5	9
035	35	49	51	44	50	3	42.5	40	30	10	2	5	9
038	38	54	58	49	56	4	45	43	32	11	2	6	9
040	40	56	60	51	58	4	45	43	32	11	2	6	9
043	43	59	63	54	61	4	45	43	32	11	2	6	9
045	45	61	65	56	63	4	45	43	32	11	2	6	9
048	48	64	68	59	66	4	45	43	32	11	2	6	9
050	50	66	70	62	70	4	47.5	47.5	34.5	13	2.5	6	9
053	53	69	73	65	73	4	47.5	47.5	34.5	13	2.5	6	9
055	55	71	75	67	75	4	47.5	47.5	34.5	13	2.5	6	9
058	58	78	83	70	78	4	52.5	52.5	39.5	13	2.5	6	9
060	60	80	85	72	80	4	52.5	52.5	39.5	13	2.5	6	9
063	63	83	88	75	83	4	52.5	52.5	39.5	13	2.5	6	9
065	65	85	90	77	85	4	52.5	52.5	39.5	13	2.5	6	9
068	68	88	93	81	90	4	52.5	52.5	37.5	15	2.5	7	9
070	70	90	95	83	92	4	60	60	45	15	2.5	7	9
075	75	99	104	88	97	4	60	60	45	15	2.5	7	9
080	80	104	109	95	105	4	60	60	43	15.5	3	7	9
085	85	109	114	100	110	4	60	60	43	15.5	3	7	9
090	90	114	119	105	115	4	65	65	43	15.5	3	7	9
095	95	119	124	110	120	4	65	65	43	15.5	3	7	9
100	100	124	129	115	125	4	65	65	43	15.5	3	7	9



LIDERING



LIDERING, S.A.

Pg. Ferrocarrils Catalans, 106 - 108
08940 Cornellà de Llobregat BARCELONA
Domestic Sales: 902 480 440
International Sales: +34 93 480 44 22
Fax: 93 480 44 04

Cyesa, 11 - 28017 MADRID
Tel: 902 480 440 Fax: 91 361 40 20

LIDERING, S.A.R.L.

Parc des Aqueducs, Lot E
Chemin du Favier RD 42
69230 Saint-Genis-Laval FRANCE
Tél: 04 72 67 02 67 Fax: 04 78 56 04 08

S.A. CONTINENTAL SEALS NEW N.V.
(LIDERING GROUP)

Ch. de Louvain 270 - Leuvensestwg
1410 Waterloo BELGIQUE-BELGIË
Tél: 02 357 06 30 Fax: 02 354 29 86

<http://www.lidering.com>