

MECHANICAL SEALS

TC/FN

LIDERING

OPERATING LIMITS

$d_1 = 10 \div 40 \text{ mm}$

$p = 10 \text{ Kg/cm}^2$

$v = 20 \text{ m/s}$

$t = -20 \div +180^\circ\text{C}$

The operating limits depend on PV factor

COMPONENTS

1 Rotative face

2 Stationary face

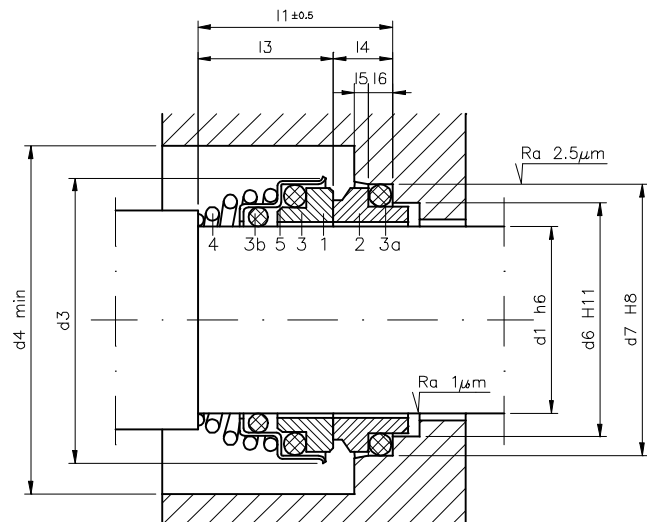
3 O-ring

3a O-ring

3b O-ring

4 Spring

5 Metal frame



REFERENCE

TC/FN -- XBPGF

TC/FN -- VBPGF

MATERIALS

Ceramic

Aluminium oxide

Graphite

Graphite

NBR

NBR

SS AISI 316

SS AISI 316

Available in other materials

TC - FN

Unbalanced mechanical seal, single spring, dependent on direction of rotation.

DIMENSIONS TABLE (Measures in mm. subject to change)

Ref.	d ₁	d ₃	d ₄	d ₆	d ₇	l ₁	l ₃	l ₄	l ₅	l ₆
010	10	19.5	22	14	18.1	20.5	15	5.5	1.2	3
011	11	22.5	25	16.5	20.6	23.5	18	5.5	1.2	3
012	12	22.5	25	16.5	20.6	23.5	18	5.5	1.2	3
013	13	24.5	28	19	23.1	28	22	6	1.2	3
014	14	24.5	28	19	23.1	28	22	6	1.2	3
015	15	29	32	21	26.9	29	22	7	1.5	4
016	16	29	32	21	26.9	30	23	7	1.5	4
017	17	29	32	21	26.9	30	23	7	1.5	4
018	18	32.5	36	25	30.9	32	24	8	1.5	4
019	19	32.5	36	25	30.9	33	25	8	1.5	4
020	20	32.5	36	25	30.9	33	25	8	1.5	4
022	22	37.5	42	30	35.4	33	25	8	2	4
024	24	37.5	42	30	35.4	35	27	8	2	4
025	25	40	45	33	38.2	35.5	27	8.5	2	4
028	28	46	51	38	43.3	38	29	9	2	4
030	30	46	51	38	43.3	39	30	9	2	4
032	32	46	51	38	43.3	39	30	9	2	4
035	35	50	55	45	53.5	50.5	39	11.5	2	6
038	38	58	68	52	60.5	50.5	39	11.5	2	6
040	40	58	68	52	60.5	50.5	39	11.5	2	6



LIDERING



LIDERING, S.A.

Pg. Ferrocarrils Catalans, 106 - 108
08940 Cornellà de Llobregat BARCELONA
Domestic Sales: 902 480 440
International Sales: +34 93 480 44 22
Fax: 93 480 44 04

Cyesa, 11 - 28017 MADRID
Tel: 902 480 440 Fax: 91 361 40 20

LIDERING, S.A.R.L.

Parc des Aqueducs, Lot E
Chemin du Favier RD 42
69230 Saint-Genis-Laval FRANCE
Tél: 04 72 67 02 67 Fax: 04 78 56 04 08

S.A. CONTINENTAL SEALS NEW N.V.
(LIDERING GROUP)

Ch. de Louvain 270 - Leuvensestwg
1410 Waterloo BELGIQUE-BELGIË
Tél: 02 357 06 30 Fax: 02 354 29 86

<http://www.lidering.com>