

MECHANICAL SEALS

TYPE 108

TYPE 109

LIDERING

Type 108: axial fitting length of rotating part L_3
 Type 109: axial fitting length of rotating part L_{21}

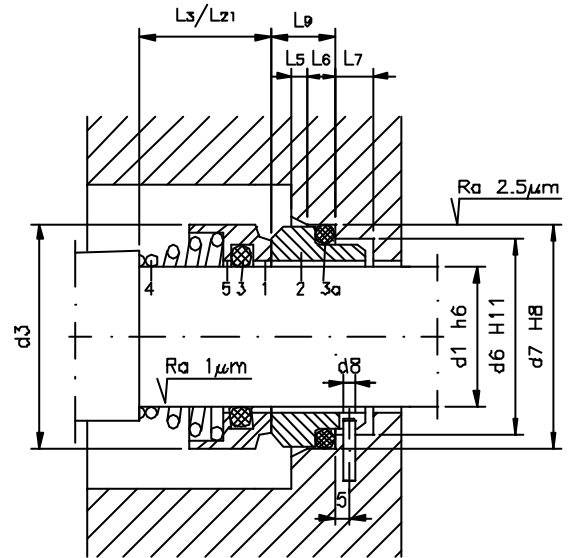
OPERATING LIMITS

d_1	= 10 ÷ 80 mm
p	= 10 Kg/cm ²
v	= 20 m/s
t	= -20 ÷ +200°C

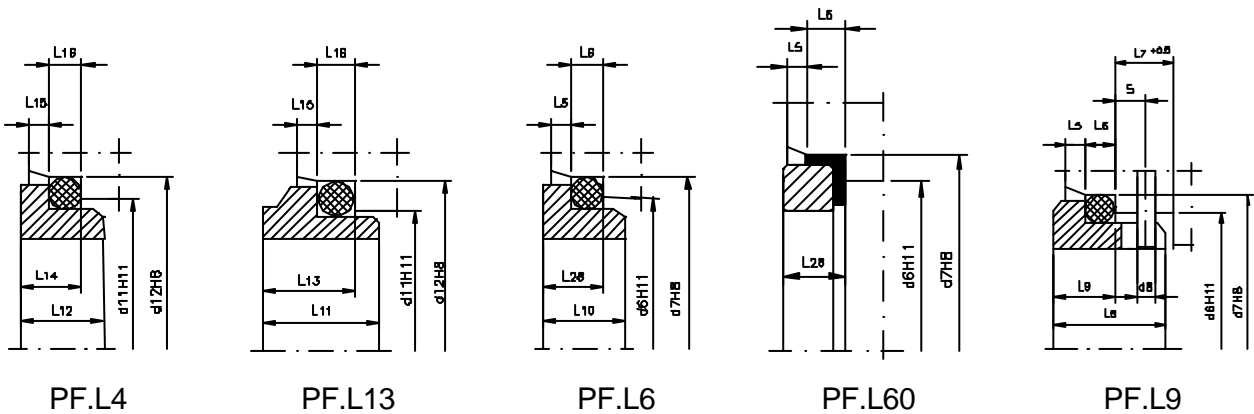
The operating limits depend on the PV factor

COMPONENTS

1	Rotative face
2	Stationary face
3	O-ring
3a	O-ring
4	Spring
5	Metal frame



Types of Stationary Seat



REFERENCE

- 108 / 109 -- L9 GBPGG
- 108 / 109 -- L9 BPGGG
- 108 / 109 -- L9 BQPGG
- 108 / 109 -- L9 QQPGG
- 108 / 109 -- L9 UUPGG

MATERIALS

SS AISI 316	Graphite	NBR	SS AISI 316
Graphite	SS AISI 316	NBR	SS AISI 316
Graphite	Silicon carbide	NBR	SS AISI 316
Silicon carbide	Silicon carbide	NBR	SS AISI 316
Tungsten carbide	Tungsten carbide	NBR	SS AISI 316

Available in other materials

TYPES 108 / 109

Unbalanced mechanical seal, single spring, dependent on direction of rotation.



DIMENSIONS TABLE (Measures in mm. subject to change)

Ref.	d ₁	d ₃	d ₆	d ₇	d ₈	d ₁₁	d ₁₂	L ₃	L ₅	L ₆	L ₇	L ₈	L ₉	L ₁₀	L ₁₁	L ₁₂	L ₁₃	L ₁₄	L ₁₅	L ₁₆	L ₂₁	L ₂₈
10	10	19	17	21	3	15.5	19.2	15.5	1.5	4	8.5	17.5	10.0	7.5	9.0	7.5	7.1	6.6	1.2	3.8	15.5	6.6
12	12	21	19	23	3	17.5	21.6	16.0	1.5	4	8.5	17.5	10.0	7.5	10.0	6.5	7.6	5.6	1.2	3.8	15.5	6.6
14	14	23	21	25	3	20.5	24.6	16.5	1.5	4	8.5	17.5	10.0	7.5	10.0	6.5	7.6	5.6	1.2	3.8	15.5	6.6
15	15	24	--	--	--	20.5	24.6	--	--	--	--	--	--	--	11.0	7.5	8.6	6.6	1.2	3.8	15.5	--
16	16	26	23	27	3	22.0	28.0	18.0	1.5	4	8.5	17.5	10.0	7.5	11.5	8.5	9.0	7.5	1.5	5.0	17.5	6.6
18	18	29	27	33	3	24.0	30.0	19.5	2.0	5	9.0	19.5	11.5	8.5	12.5	9.0	10.0	8.0	1.5	5.0	18.5	7.5
20	20	31	29	35	3	29.5	35.0	22.0	2.0	5	9.0	19.5	11.5	8.5	12.5	8.5	9.5	7.5	1.5	5.0	20.0	7.5
22	22	33	31	37	3	29.5	35.0	21.5	2.0	5	9.0	19.5	11.5	8.5	12.5	8.5	9.5	7.5	1.5	5.0	21.5	7.5
24	24	35	33	39	3	32.0	38.0	23.5	2.0	5	9.0	19.5	11.5	8.5	12.5	8.5	9.5	7.5	1.5	5.0	23.0	7.5
25	25	36	34	40	3	32.0	38.0	26.5	2.0	5	9.0	19.5	11.5	8.5	12.5	8.5	9.5	7.5	1.5	5.0	24.5	7.5
26	26	37	--	--	--	34.0	40.0	--	--	--	9.0	--	--	--	13.0	9.0	10.0	8.0	1.5	5.0	24.5	--
28	28	40	37	43	3	36.0	42.0	26.5	2.0	5	9.0	19.5	11.5	8.5	14.0	10.0	11.0	9.0	1.5	5.0	24.5	7.5
30	30	43	39	45	3	39.2	45.0	26.5	2.0	5	9.0	19.5	11.5	8.5	14.0	11.5	11.0	10.5	1.5	5.0	24.5	7.5
32	32	46	42	48	3	42.2	48.0	28.5	2.0	5	9.0	19.5	11.5	8.5	14.0	11.5	11.0	10.5	1.5	5.0	28.0	7.5
33	33	47	42	48	3	--	--	28.5	2.0	5	9.0	19.5	11.5	8.5	--	12.0	--	--	--	--	--	7.5
35	35	49	44	50	3	46.2	52.0	28.5	2.0	5	9.0	19.5	11.5	8.5	14.5	12.0	11.5	11.0	1.5	5.0	28.0	7.5
38	38	53	49	56	4	49.2	55.0	33.5	2.0	6	9.0	22.0	14.0	10.0	14.5	11.3	11.5	10.3	1.5	5.0	31.0	9.0
40	40	56	51	58	4	52.2	58.0	36.0	2.0	6	9.0	22.0	14.0	10.0	14.5	11.8	11.5	10.8	1.5	5.0	34.0	9.0
42	42	59	--	--	--	53.3	62.0	--	--	--	9.0	--	--	--	17.0	13.2	14.3	12.0	2.0	6.0	35.0	--
43	43	59	54	61	4	--	--	38.5	2.0	6	9.0	22.0	14.0	10.0	--	13.2	--	--	2.0	--	--	9.0
45	45	61	56	63	4	55.3	64.0	39.5	2.0	6	9.0	22.0	14.0	10.0	17.0	12.8	14.3	11.6	2.0	6.0	36.5	9.0
48	48	64	59	66	4	59.7	68.4	46.0	2.0	6	9.0	22.0	14.0	10.0	17.0	12.8	14.3	11.6	2.0	6.0	42.0	9.0
50	50	66	62	70	4	60.8	69.3	45.0	2.5	6	9.0	23.0	15.0	10.5	17.0	12.8	14.3	11.6	2.0	6.0	43.0	9.5
53	53	69	65	73	4	--	--	47.0	2.5	6	9.0	23.0	15.0	12.0	--	13.5	--	--	--	--	--	11.0
55	55	71	67	75	4	66.5	75.4	49.0	2.5	6	9.0	23.0	15.0	12.0	18.0	14.5	15.3	13.3	2.0	6.0	47.0	11.0
58	58	76	70	78	4	69.5	78.4	55.0	2.5	6	9.0	23.0	15.0	12.0	18.0	14.5	15.3	13.3	2.0	6.0	50.0	11.0
60	60	78	72	80	4	71.5	80.4	55.0	2.5	6	9.0	23.0	15.0	12.0	18.0	14.5	15.3	13.3	2.0	6.0	51.0	11.0
63	63	83	75	83	4	--	--	55.0	2.5	6	9.0	23.0	15.0	12.0	--	14.2	--	--	--	--	--	11.0
65	65	84	77	85	4	76.5	85.4	55.0	2.5	6	9.0	23.0	15.0	12.0	18.0	14.2	15.3	13.0	2.0	6.0	52.0	11.0
68	68	88	81	90	4	82.7	91.5	55.0	2.5	7	9.0	26.0	18.0	12.5	19.0	14.9	16.0	13.7	2.0	6.0	53.0	11.3
70	70	90	83	92	4	83.0	92.0	57.0	2.5	7	9.0	26.0	18.0	12.5	18.0	14.2	15.3	13.0	2.0	6.0	54.0	11.3
75	75	98	88	97	4	90.2	99.0	62.0	2.5	7	9.0	26.0	18.0	12.5	18.0	15.2	15.3	14.0	2.0	6.0	55.0	11.3
80	80	100	95	105	4	95.2	104.0	61.8	3.0	7	9.0	26.2	18.2	13.0	19.0	16.2	16.3	15.0	2.0	6.0	58.0	12.0

LIDERING



LIDERING, S.A.

Pg. Ferrocarrils Catalans, 106 - 108
08940 Cornellà de Llobregat BARCELONA
Domestic Sales: 902 480 440
International Sales: +34 93 480 44 22
Fax: 93 480 44 04

Cyesa,11 - 28017 MADRID
Tel: 902 480 440 Fax: 91 361 40 20

LIDERING, S.A.R.L.

Parc des Aqueducs, Lot E
Chemin du Favier RD 42
69230 Saint-Genis-Laval FRANCE
Tél: 04 72 67 02 67 Fax: 04 78 56 04 08

S.A. CONTINENTAL SEALS NEW N.V.
(LIDERING GROUP)

Ch. de Louvain 270 - Leuvensestwg
1410 Waterloo BELGIQUE-BELGIË
Tél: 02 357 06 30 Fax: 02 354 29 86

<http://www.lidering.com>