

**MECHANICAL SEALS**

**TYPE R5.S**

**LIDERING**

### **OPERATING LIMITS**

$p = 25 \text{ Kg/cm}^2$

$v = 20 \text{ m/s}$

$t = -15 \div +200^\circ\text{C}$

The operating limits depend on the PV factor

### **COMPONENTS**

1 Rotative face

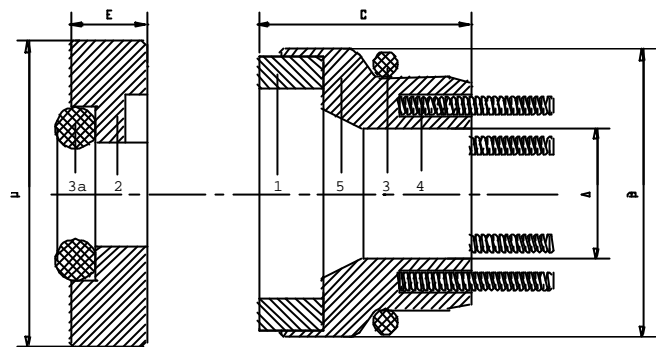
2 Stationary face

3 O-ring

3a O-ring

4 Spring

5 Metal frame



### **REFERENCE**

R5.S -- BGVGG

R5.S -- QQVGG

### **MATERIALS**

Graphite

Silicon carbide

SS AISI 316

Silicon carbide

FKM

FKM

SS AISI 316

SS AISI 316

Available in other materials

# TYPE R5.S

Multi-spring mechanical seal, balanced, independent on direction of rotation.

## DIMENSIONS TABLE (Measures in mm. subject to change)

Reference	A	B	C	D	E
R5.S16	22	43	24	44.3	10.6
R5.S25	31	52	24	53.5	10.3
R5.S38	44	77	28	74.2	15.5



**LIDERING**



**LIDERING, S.A.**

Pg. Ferrocarrils Catalans, 106 - 108  
08940 Cornellà de Llobregat BARCELONA  
Domestic Sales: 902 480 440  
International Sales: +34 93 480 44 22  
Fax: 93 480 44 04

Cyesa,11 - 28017 MADRID  
Tel: 902 480 440 Fax: 91 361 40 20

**LIDERING, S.A.R.L.**

Parc des Aqueducs, Lot E  
Chemin du Favier RD 42  
69230 Saint-Genis-Laval FRANCE  
Tél: 04 72 67 02 67 Fax: 04 78 56 04 08

**S.A. CONTINENTAL SEALS NEW N.V.**  
(LIDERING GROUP)

Ch. de Louvain 270 - Leuvensestwg  
1410 Waterloo BELGIQUE-BELGIË  
Tél: 02 357 06 30 Fax: 02 354 29 86

<http://www.lidering.com>