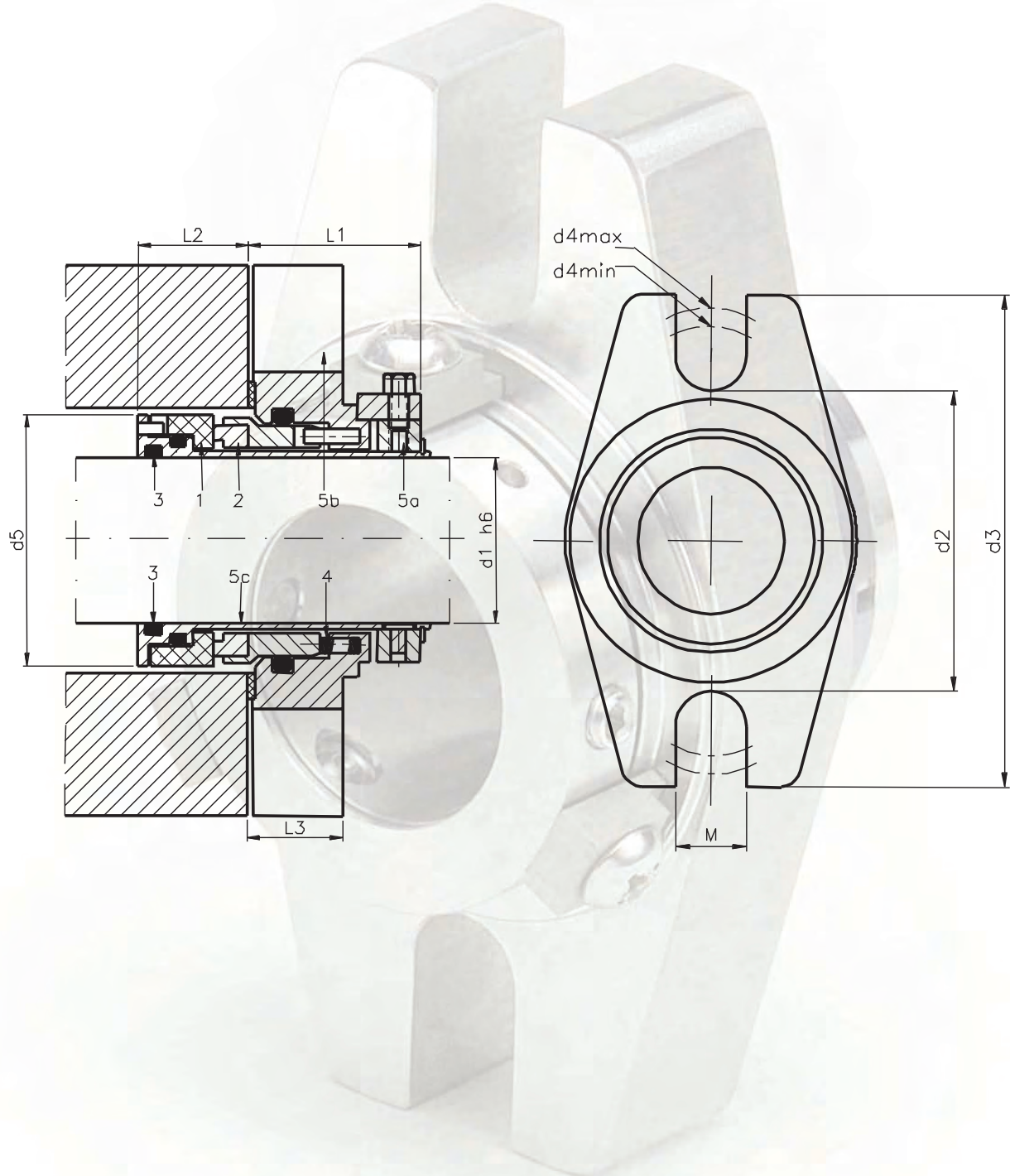


MECHANICAL SEALS

TYPE 2111

LIDERING



OPERATING LIMITS

$d_1 = 25 \div 100 \text{ mm}$

$p = 25 \text{ Kg/cm}^2$

$v = 16 \text{ m/s}$

$t = -15 \div +200^\circ\text{C}$

The operating limits depend on the PV factor

MATERIALS

QBVGG

QBEGG

QQVGG

QQEGG

COMPONENTS

1 Rotative face

2 Stationary face

3 O-ring

4 Spring

5a Set screw

5b Frange

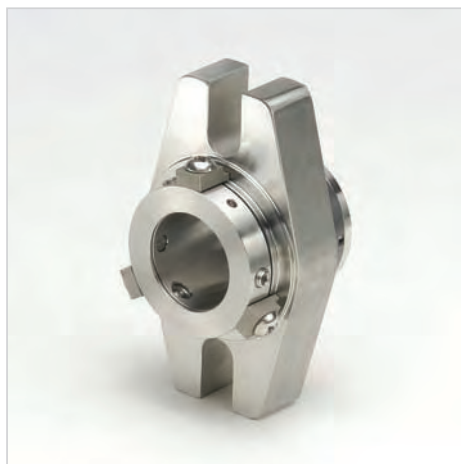
5c Metal frame

Available in other materials

Mechanical Seals

2111

Cartridge simple seal, balanced,
multi-spring and independent
on direction of rotation.



DIMENSIONS TABLE (Measures in mm. subject to change)

Ref.	d ₁	d ₂	d ₃	d _{4 min}	d _{4 max}	d ₅	L ₁	L ₂	L ₃	M
025	25	55.6	101.6	69.9	88.9	41.0	31.8	28.6	20.7	12
028	28	58.8	104.8	73.1	92.1	44.0	31.8	28.6	20.7	12
030	30	61.9	108.0	76.2	95.3	48.0	31.8	28.6	20.7	12
032	32	61.9	108.0	76.2	95.3	48.0	31.8	28.6	20.7	12
033	33	61.9	108.0	76.2	95.3	49.0	31.8	28.6	20.7	12
035	35	68.7	108.0	81.0	95.3	51.0	31.8	28.6	20.7	12
038	38	71.5	114.3	85.8	101.6	57.2	33.4	28.6	22.3	12
040	40	71.5	114.3	85.8	101.6	58.0	33.4	28.6	22.3	12
043	43	74.6	120.7	88.9	108.0	61.0	33.4	28.6	22.3	12
045	45	77.8	127.0	92.1	114.3	63.5	35.0	30.2	23.8	12
048	48	81.0	133.4	95.3	120.7	66.7	35.0	30.2	23.8	12
050	50	81.0	133.4	95.3	120.7	68.0	35.0	30.2	23.8	12
053	53	84.2	139.7	101.6	123.9	71.0	36.5	30.2	25.4	16
055	55	87.3	146.1	104.8	130.2	74.0	36.5	30.2	25.4	16
058	58	95.3	165.1	115.9	145.0	79.4	36.5	30.2	25.4	20
060	60	95.3	165.1	115.9	145.0	79.4	36.5	30.2	25.4	20
063	63	111.2	177.8	131.8	158.7	85.8	41.2	28.6	25.4	20
065	65	111.2	177.8	131.8	158.7	88.9	41.2	28.6	25.4	20
068	68	111.2	177.8	131.8	158.7	92.1	41.2	28.6	25.4	20
070	70	111.2	177.8	131.8	158.7	92.1	41.2	30.2	25.4	20
075	75	125.4	190.5	146.1	171.4	98.5	50.8	30.2	31.7	20
080	80	125.4	190.5	146.1	171.4	101.6	50.8	30.2	31.7	20
085	85	135.0	203.2	155.6	184.1	108.0	50.8	30.2	31.7	20
090	90	144.5	215.9	165.1	196.8	114.3	50.8	30.2	31.7	20
095	95	144.5	215.9	165.1	196.8	117.5	50.8	30.2	31.7	20
100	100	154.0	228.6	174.7	208.5	123.9	50.8	30.2	31.7	20

LIDERING



LIDERING, S.A.

Pg. Ferrocarrils Catalans, 106 - 108
08940 Cornellà de Llobregat BARCELONA
Domestic Sales: 902 480 440
International Sales: +34 93 480 44 22
Fax: 93 480 44 04

Pollensa, 2, Ofic. 8
Edif. Artemisa – Tartessos
28290 Las Rozas MADRID
Tel: 902 480 440 Fax: 91 361 40 20

LIDERING, S.A.R.L.

Parc des Aqueducs, Lot E
Chemin du Favier RD 42
69230 Saint-Genis-Laval FRANCE
Tél: 04 72 67 02 67 Fax: 04 78 56 04 08

S.A. LIDERING N.V.

Ch. de Louvain 270 - Leuvensestwg
1410 Waterloo BELGIQUE-BELGIË
Tél: 02 357 06 30 Fax: 02 354 29 86

<http://www.lidering.com>